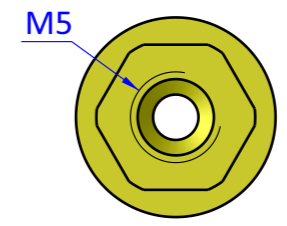
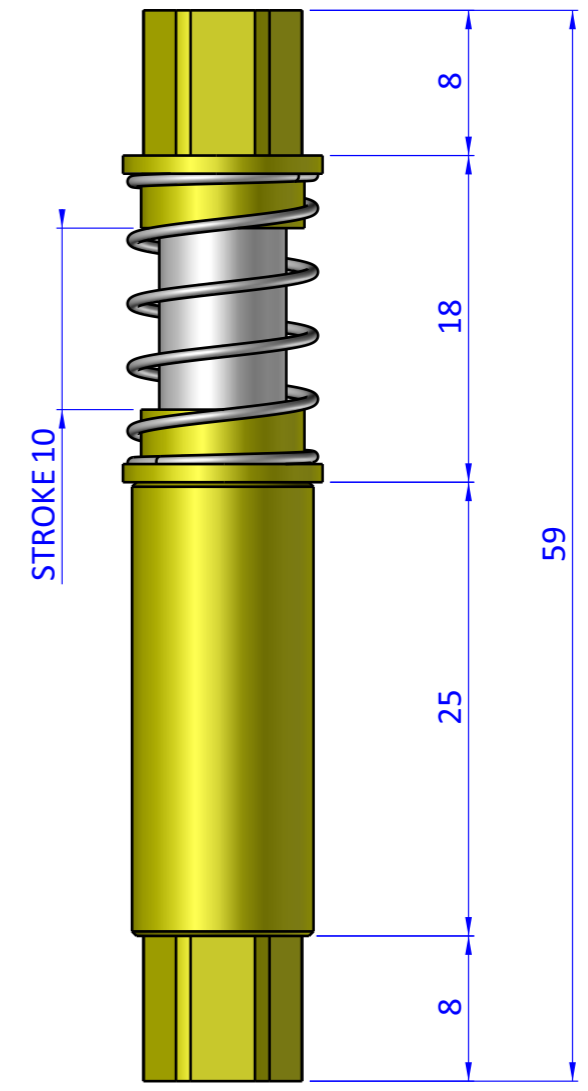
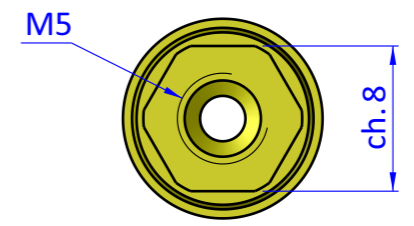
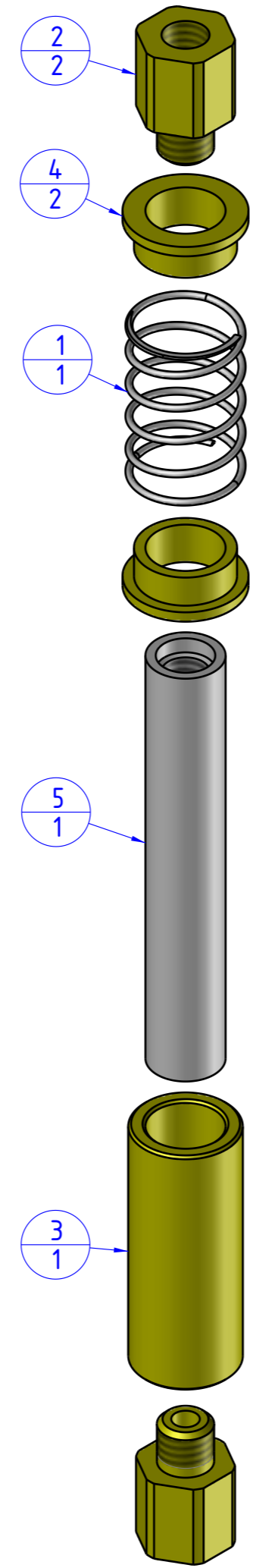



THE PROPERTY OF THE DRAWING IS ESTABLISHED BY LAW. IT IS FORBIDDEN TO PRODUCE OR SHOW IT TO THIRD PART. WITHOUT A WRITTEN AGREEMENT.

Item	Name	Q.ty
1	M.10.5x28	1
2	SAE.10050510.1	2
3	SAR.10050510.3	1
4	SAE.10050510.4	2
5	SAR.10050510.2	1



Format A3
UNI 936-76

 FPS FPSERVICES AUTOMATION		DESIGNED FROM		REVIEW
		FPS Automation		A
GENERAL TOLERANCE		DATE	WEIGHT	
UNI - ISO 2768		01/09/2022	0,026kg	
CLASSE f		CODE	CA.SAR.10050510	
		CA.SAR.10050510		